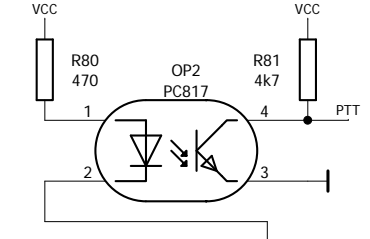
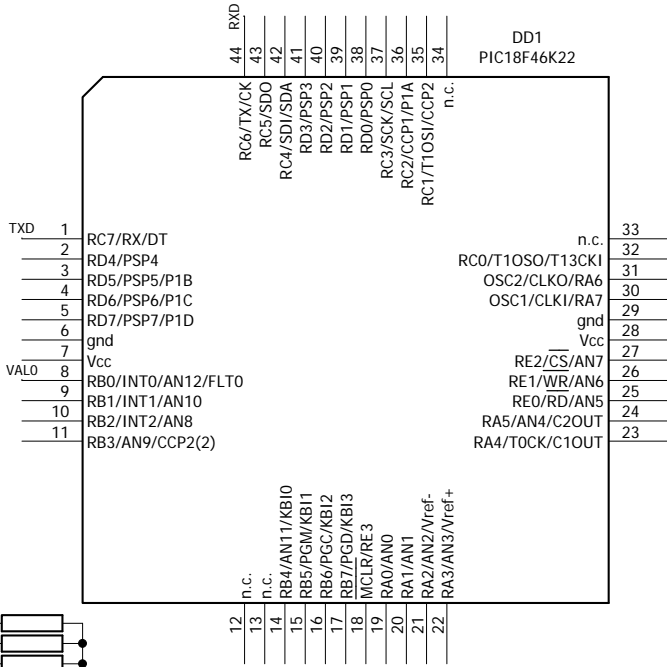


from keyboard
plate 1340.039-01454

X1	X4.1
0	X4.2
2n1	X4.3
2n2	X4.4
2n4	X4.5
2n8	X4.6
CL	X4.7
Up/Dwn	X4.8



Ptt	X5.1
SWR	X5.2
PWR	X5.3
ALC	X5.4
LVD	X5.5
	X5.6
	X5.7

